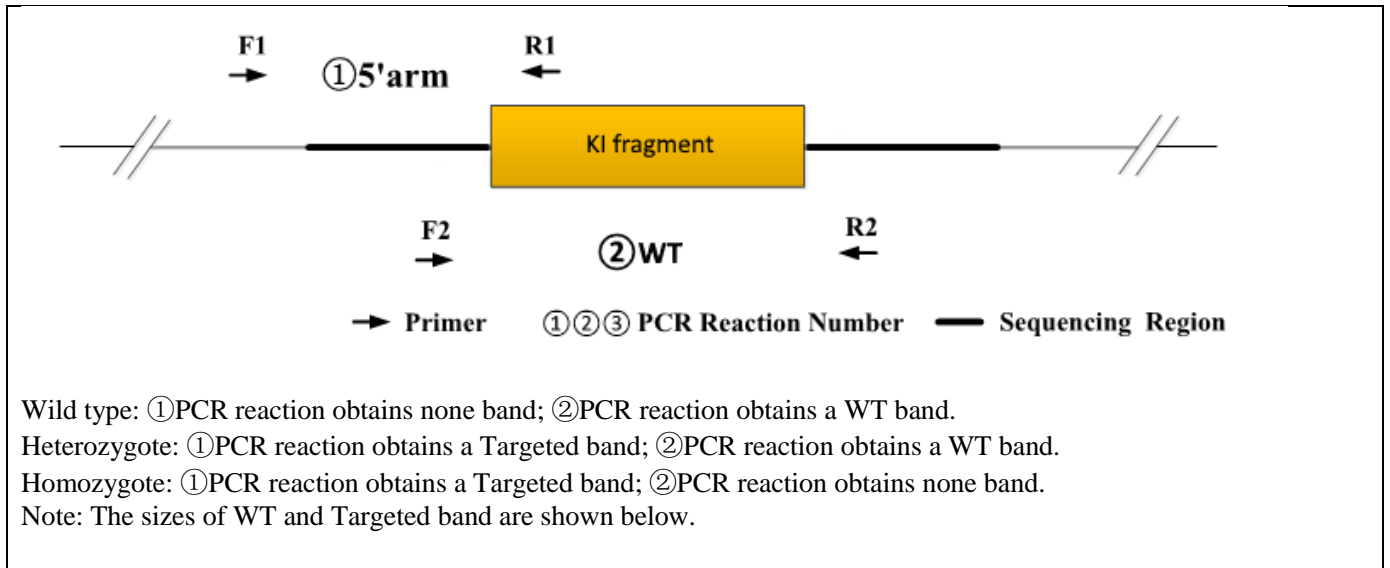


Genotyping Report

Strain ID	T037657	Strain Type	KI(Cas9)	Genetic Background	C57BL/6JGpt
Designer	Yuting Liu	Gene Name	<i>B6/JGpt-H11^{em1Cin(K18-ACE2)}/Gpt</i>		

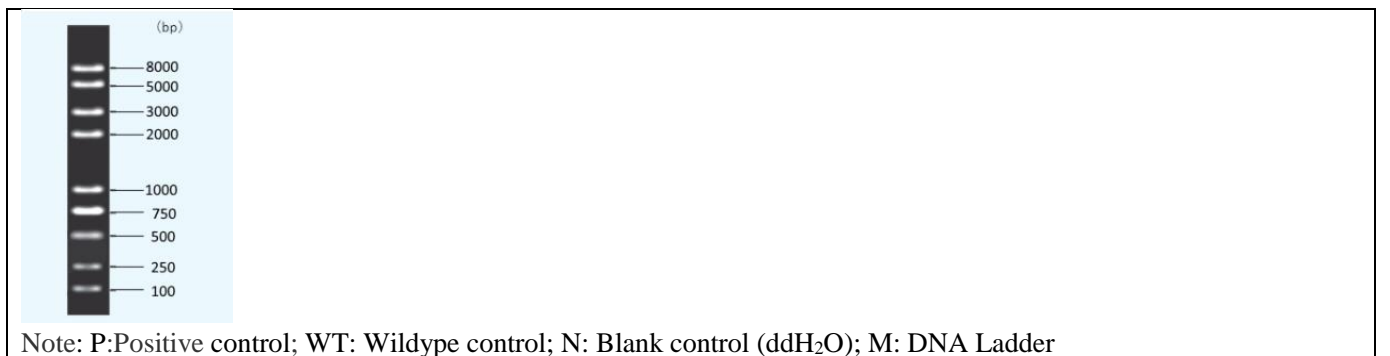
1. Strategy of Genotyping



2. Primer Information

PCR No.	Primer No.	Primer Name	Sequence	Band Size
①(5'arm)	F1	H11-tF2	ATGCCACCAAAGTCATCAGTGTAG	WT: 0bp Targeted: 1463bp
	R1	hK18Ep-5tR2	CCACTGGATTCCAGAACTGTCAAG	
②(WT)	F2	H11-wt-tF1	CAGCAAAACCTGGCTGTGGATC	WT: 412bp Targeted: 0bp
	R2	H11-wt-tR1	ATGAGCCACCATGTGGGTGTC	

3. Gel Image & Conclusion



4. PCR Condition

PCR Reaction Component			
Seg.	reaction component		Volume (μl)
1	2 × Taq Master Mix , Dye Plus, (Vazyme P112-03)		12.5
2	ddH2O		9.5
3	Primer A(10pmol/μl)		1
4	Primer B(10pmol/μl)		1
5	Template(≈100ng/μl)		1
PCR program			
Seg.	Temp.	Time	Cycle
1	95℃	5min	
2	98℃	30s	20×
3	65℃ (-0.5℃/cycle)	30s	
4	72℃	45s	
5	98℃	30s	
6	55℃	30s	20×
7	72℃	45s	
8	72℃	5min	
9	10℃	hold	