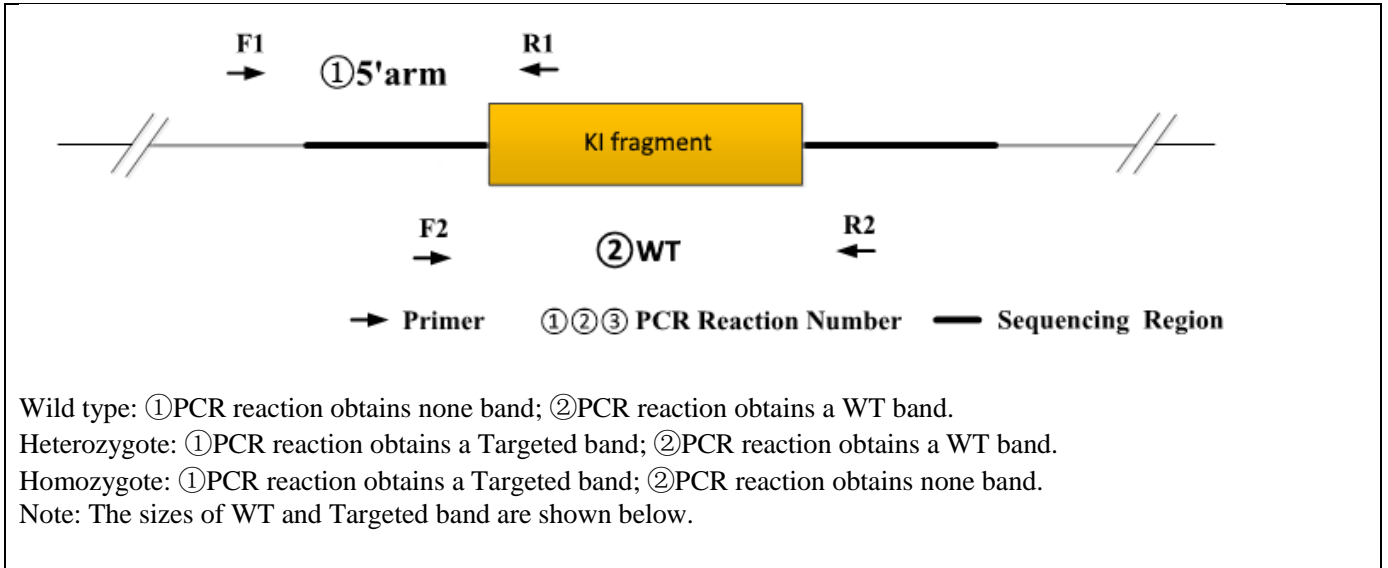


## Genotyping Report

Strain ID	T037915	Strain Type	KI(Cas9)	Genetic Background	BALB/cGpt
Designer	Yuting Liu	Gene Name	<i>BALB/cJGpt-Ace2<sup>em1Cin(hACE2)</sup>/Gpt</i>		

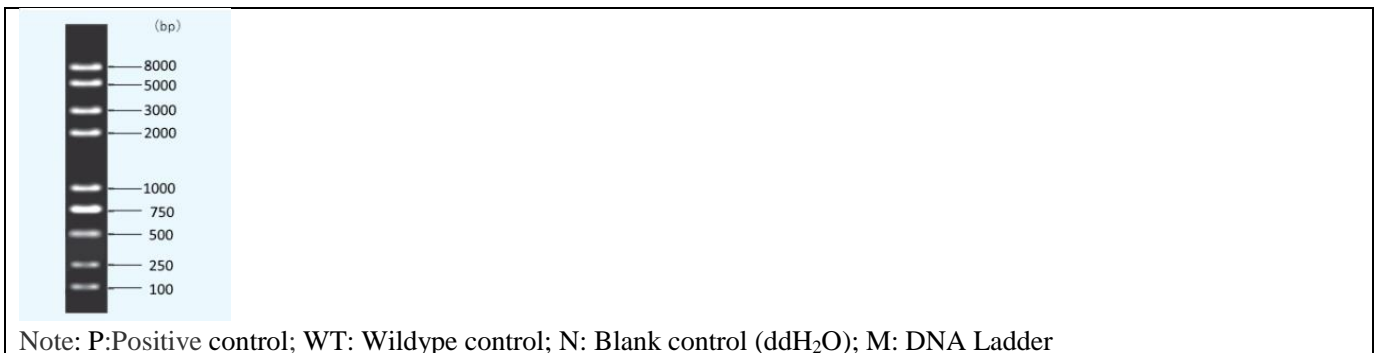
### 1. Strategy of Genotyping



### 2. Primer Information

PCR No.	Primer No.	Primer Name	Sequence	Band Size
①(5'arm)	F1	XM004126-hACE2-5tF1	AAGTGGCTCCTCTCTTACTCTGG	WT: bp Targeted: 1508bp
	R1	XM004126-hAce2-5tR3	CAGACCATTTGTCCCCAGCAT	
②(WT)	F2	XM004126-hACE2-wt-tF1	ACCCAAGTTCAAAGGCTGATGAG	WT: 400bp Targeted: 2702bp
	R2	XM004126-hACE2-wt-tR1	CAGTCACTCATCCTCACACTTGAGAG	

### 3. Gel Image & Conclusion



#### 4. PCR Condition

PCR Reaction Component			
Seg.	reaction component		Volume (μl)
1	2 × Taq Master Mix , Dye Plus, (Vazyme P112-03)		12.5
2	ddH <sub>2</sub> O		9.5
3	Primer A(10pmol/μl)		1
4	Primer B(10pmol/μl)		1
5	Template(≈100ng/μl)		1
PCR program			
Seg.	Temp.	Time	Cycle
1	95℃	5min	
2	98℃	30s	20×
3	65℃ (-0.5℃/cycle)	30s	
4	72℃	45s	
5	98℃	30s	20×
6	55℃	30s	
7	72℃	45s	
8	72℃	5min	
9	10℃	hold	