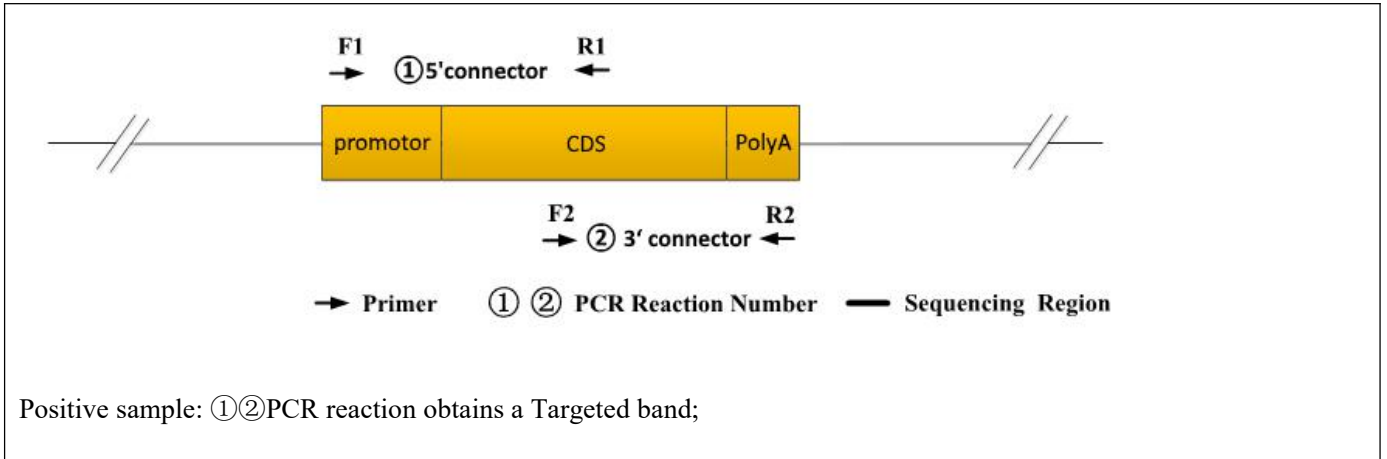


Genotyping Report

Strain ID	T001550	Strain Type	TG	Genetic Background	C57BL/6J
Designer	/	Gene Name	<i>hCD3E</i>		

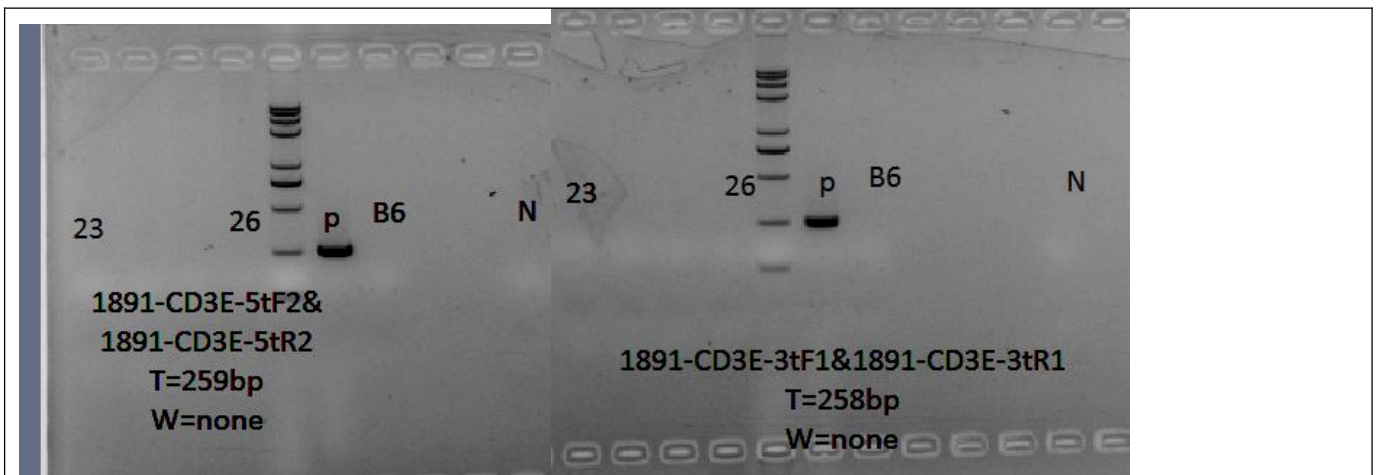
1. Strategy of Genotyping

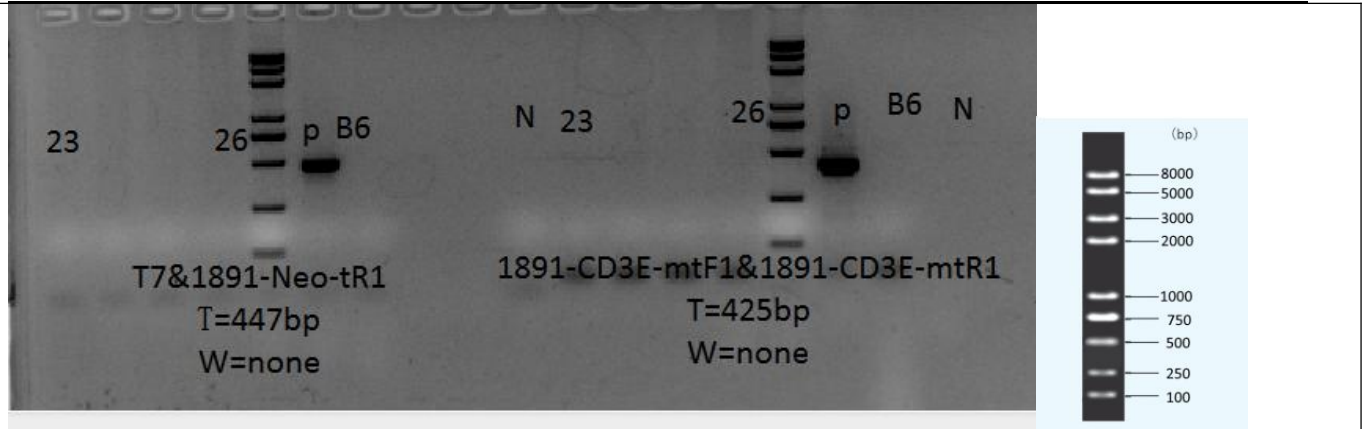


2. Primer Information

PCR No.	Primer Name	Sequence	Band Size
①(5'arm)	F1	CTGCTGCCTCTATCTGGAATGC	WT: / bp Targeted: 259bp
	R1	CTGTGAATAGCCACTGCGCTC	
②(3'arm)	F2	CTCCACTGTAGGCCACTGGATGGT	WT: / bp Targeted: 258bp
	R2	CTCTAAAGAGAGCTTCAGGTAACGG	

3. Gel Image & Conclusion





Note: P:Positive control; B6: Wildtype control; N: Blank control (ddH₂O)

4. PCR Condition

PCR Reaction Component			
Seg.	reaction component		Volume (μl)
1	2 × Taq Master Mix , Dye Plus , (Vazyme P112-03)		12.5
2	ddH ₂ O		9.5
3	Primer A(10pmol/μl)		1
4	Primer B(10pmol/μl)		1
5	Template(≈100ng/μl)		1
PCR program			
Seg.	Temp.	Time	Cycle
1	95 °C	5min	
2	98 °C	30s	20×
3	65 °C (-0.5 °C/cycle)	30s	
4	72 °C	45s	
5	98 °C	30s	20×
6	55 °C	30s	
7	72 °C	45s	
8	72 °C	5min	
9	10 °C	hold	

Reviewer:Ting Sun

Date:2019-8-14